

WELDED CONNECTIONS

- BG1000 - WELDED JOIST CONNECTION AT RAFTERS
- BG1010 - WELDED STRUT JOIST CONNECTIONS
- BG1100 - NEW JOIST TIE-IN CONNECTION TO EXISTING END FRAME
- BG1200 - INTERIOR ROOF JOIST AT STRUCTURAL EXPANSION

BOLTED CONNECTIONS

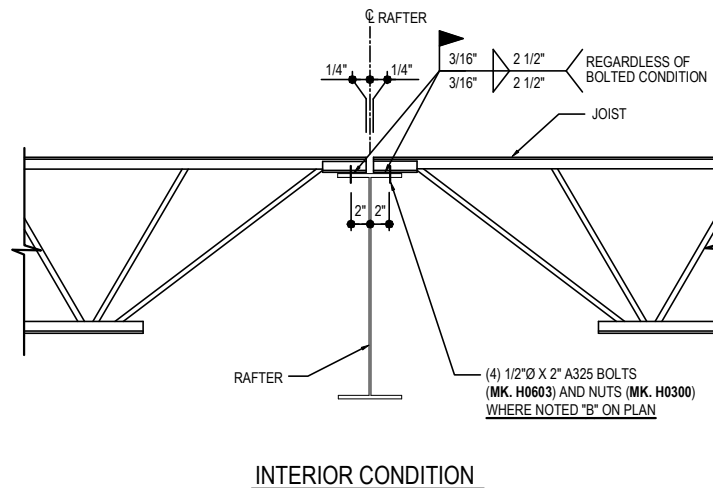
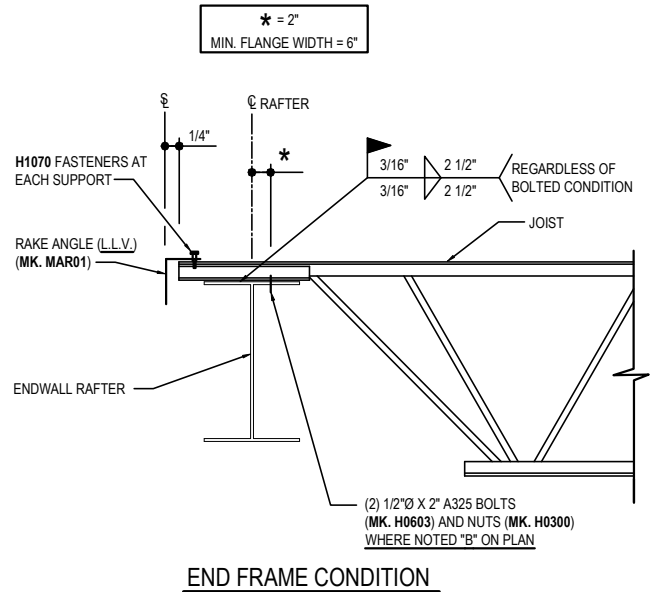
- BG2000 - BOLTED JOIST CONNECTION AT RAFTERS
- BG2010 - BOLTED STRUT JOIST CONNECTION AT RAFTERS (WITH 1/2"Ø BOLTS)
- BG2020 - BOLTED STRUT JOIST CONNECTION AT RAFTERS (WITH 3/4"Ø BOLTS)
- BG2030 - BOLTED STRUT JOIST CONNECTION AT RAFTERS (WITH WELD)
- BG2100 - NEW JOIST TIE-IN CONNECTION TO EXISTING END FRAME
- BG2200 - INTERIOR ROOF JOIST AT STRUCTURAL EXPANSION

MASONRY CONNECTIONS

- BG3000 - JOIST CONNECTION AT MASONRY END SUPPORT
 - BG3010 - JOIST CONNECTION AT MASONRY INTERIOR SUPPORT
-

BG1000 - WELDED JOIST CONNECTION AT RAFTERS

[Download the DWG file by clicking here.](#)



JOIST CONNECTION DETAIL

SHORTSPAN WELDED ROOF JOIST SYSTEM
REFERENCE ERECTOR NOTE FOR TYPICAL WASHER REQUIREMENTS

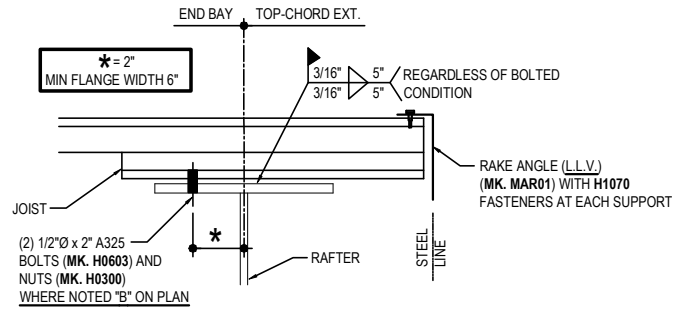
BG1000

Detailer Notes:

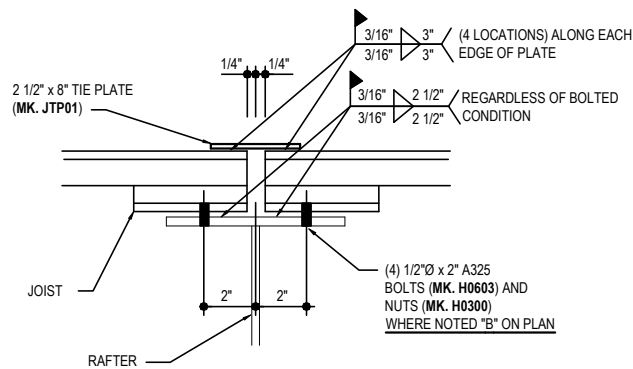
- 1) N/A

BG1010 - WELDED STRUT JOIST CONNECTIONS

[Download the DWG file by clicking here.](#)



END FRAME CONDITION



INTERIOR CONDITION

FOR WELDED ROOF JOIST SYSTEM.
APPLIES ONLY TO LOCATIONS DESIGNATED
WITH RELATED SQUARE SYMBOL.



STRUT JOIST CONNECTIONS

SHORTSPAN WELDED ROOF JOIST SYSTEM WITH WELD AT RAFTER
REFERENCE ERECTOR NOTE FOR TYPICAL WASHER REQUIREMENTS

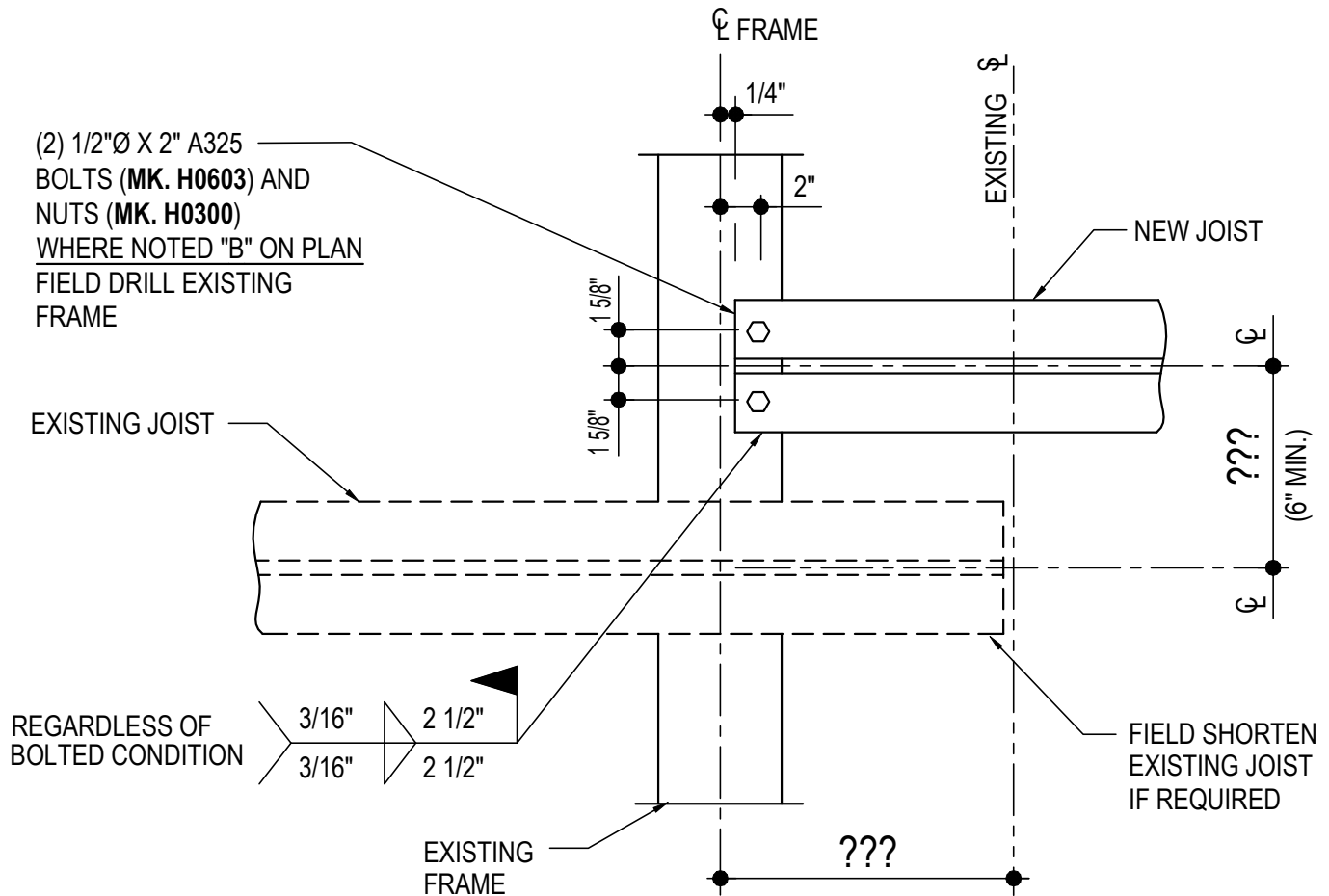
BG1010

Detailer Notes:

- 1) N/A

BG1100 - NEW JOIST TIE-IN CONNECTION TO EXISTING END FRAME

[Download the DWG file by clicking here.](#)



NEW JOIST TIE-IN CONNECTION TO EXISTING END FRAME

SHORTSPAN ROOF JOIST AT EXISTING END FRAME (WELDED SYSTEM)
REFERENCE ERECTOR NOTE FOR TYPICAL WASHER REQUIREMENTS

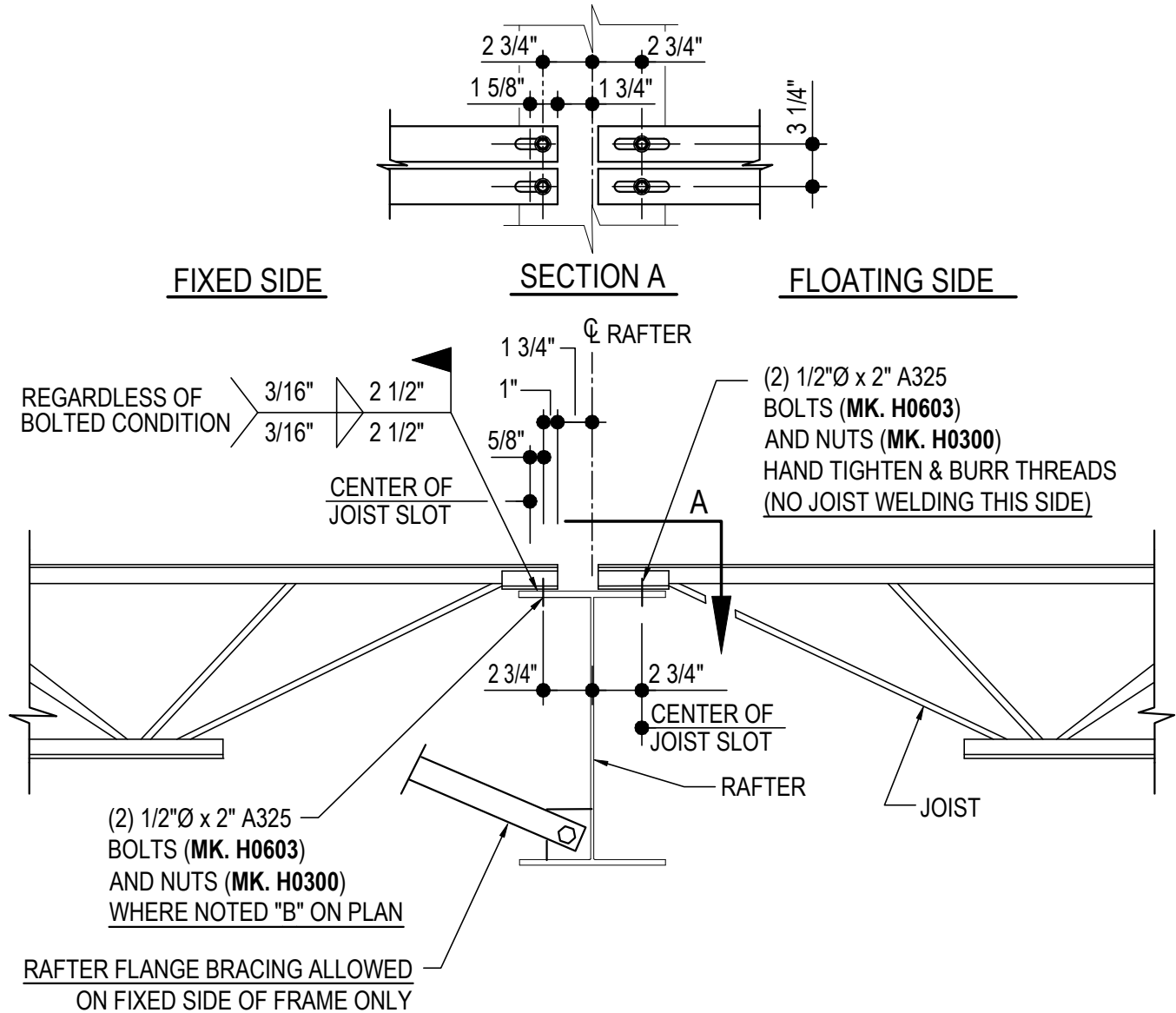
BG1100

Detailer Notes:

1) THIS DETAIL UTILIZES ATTRIBUTES. TO ACCESS ATTRIBUTES DOUBLE CLICK ON THE DETAIL.

BG1200 - INTERIOR ROOF JOIST AT STRUCTURAL EXPANSION

[Download the DWG file by clicking here.](#)



INTERIOR JOIST CONNECTION DETAIL

SHORTSPAN ROOF JOIST AT STRUCTURAL EXPANSION (WELDED SYSTEM)
REFERENCE ERECTOR NOTE FOR TYPICAL WASHER REQUIREMENTS

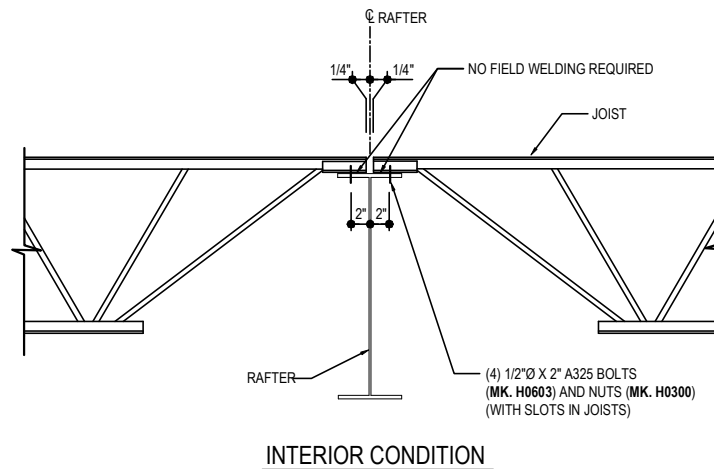
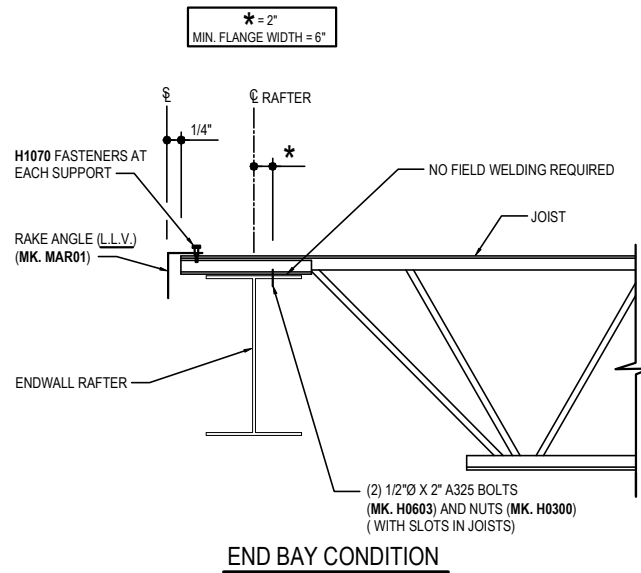
BG1200

Detailer Notes:

- 1) THIS CONDITION WILL ALWAYS REQUIRE COORDINATION WITH VULCRAFT. SEE DETAILING PROCEDURE MANUAL FOR FURTHER INFORMATION.

BG2000 - BOLTED JOIST CONNECTION AT RAFTERS

[Download the DWG file by clicking here.](#)



JOIST CONNECTION DETAIL

SHORTSPAN BOLTED ROOF JOIST SYSTEM
 REFERENCE ERECTOR NOTE FOR TYPICAL WASHER REQUIREMENTS

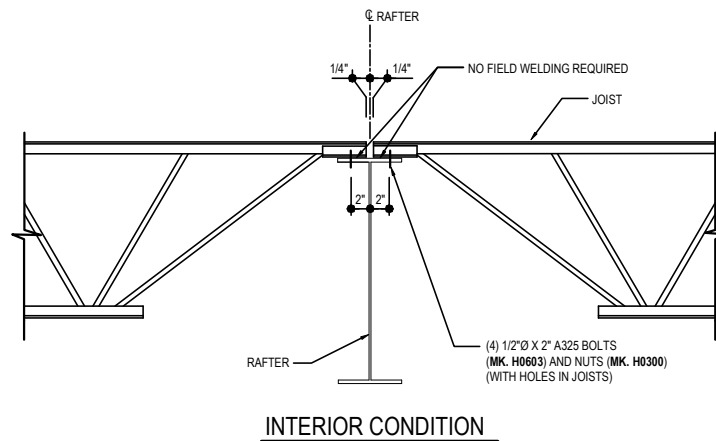
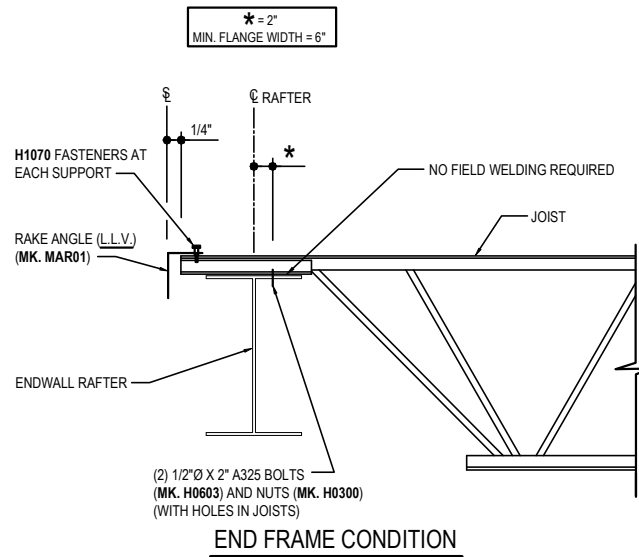
BG2000

Detailer Notes:

- 1) THIS IS OUR STANDARD BOLTED JOIST CONNECTION WITH SLOTS IN THE JOISTS.

BG2010 - BOLTED STRUT JOIST CONNECTION AT RAFTERS (WITH 1/2"Ø BOLTS)

[Download the DWG file by clicking here.](#)



FOR BOLTED ROOF JOIST SYSTEM.
APPLIES ONLY TO LOCATIONS DESIGNATED
WITH RELATED TRIANGLE SYMBOL.



STRUT JOIST CONNECTION DETAIL

SHORTSPAN BOLTED ROOF JOIST SYSTEM
REFERENCE ERECTOR NOTE FOR TYPICAL WASHER REQUIREMENTS

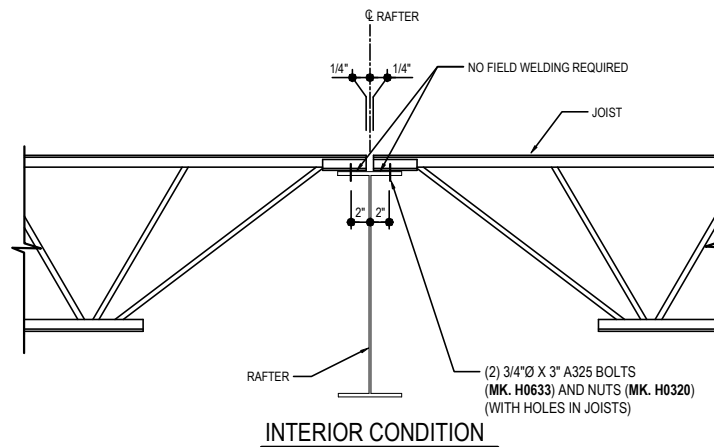
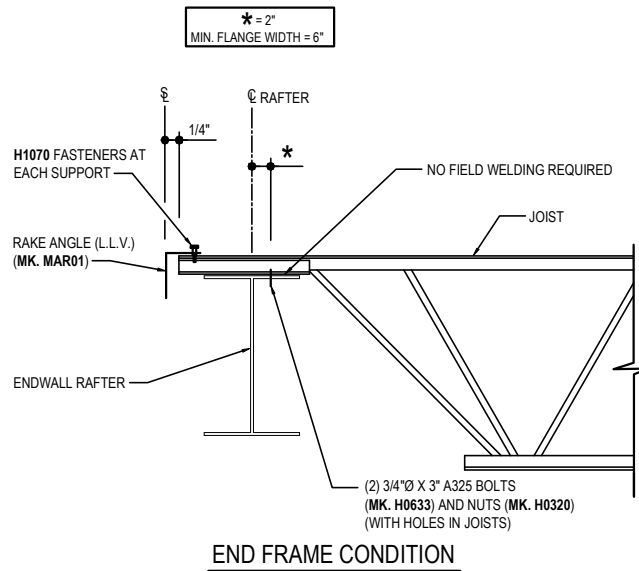
BG2010

Detailer Notes:

- 1) THE DIFFERENCE BETWEEN DETAILS BG2000 AND BG2010, ARE THE HOLES IN THE JOIST FOR THE STRUT CONDITION FOR DETAIL BG2010.

BG2020 - BOLTED STRUT JOIST CONNECTION AT RAFTERS (WITH 3/4"Ø BOLTS)

[Download the DWG file by clicking here.](#)



FOR BOLTED ROOF JOIST SYSTEM.
 APPLIES ONLY TO LOCATIONS DESIGNATED
 WITH RELATED CIRCLE SYMBOL.



STRUT JOIST CONNECTION DETAIL

SHORTSPAN BOLTED ROOF JOIST SYSTEM
 REFERENCE ERECTOR NOTE FOR TYPICAL WASHER REQUIREMENTS

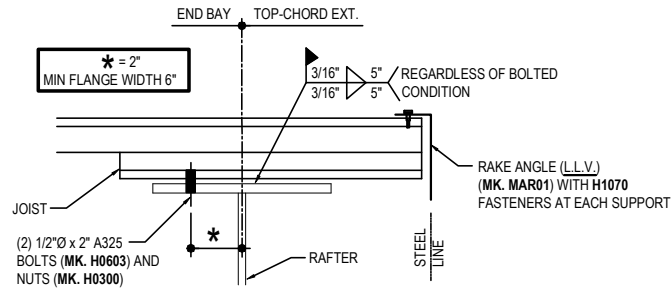
BG2020

Detailer Notes:

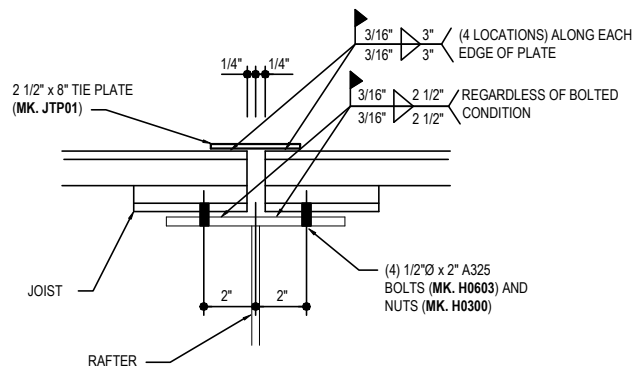
- 1) STRUT CONNECTION WITH 3/4"Ø BOLTS AND HOLES IN JOISTS.

BG2030 - BOLTED STRUT JOIST CONNECTION AT RAFTERS (WITH WELD)

[Download the DWG file by clicking here.](#)

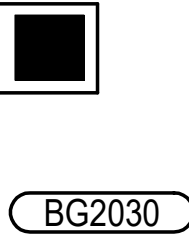


END FRAME CONDITION



INTERIOR CONDITION

FOR BOLTED ROOF JOIST SYSTEM.
APPLIES ONLY TO LOCATIONS DESIGNATED
WITH RELATED SQUARE SYMBOL.



STRUT JOIST CONNECTIONS

SHORTSPAN BOLTED ROOF JOIST SYSTEM WITH WELD AT RAFTER
REFERENCE ERECTOR NOTE FOR TYPICAL WASHER REQUIREMENTS

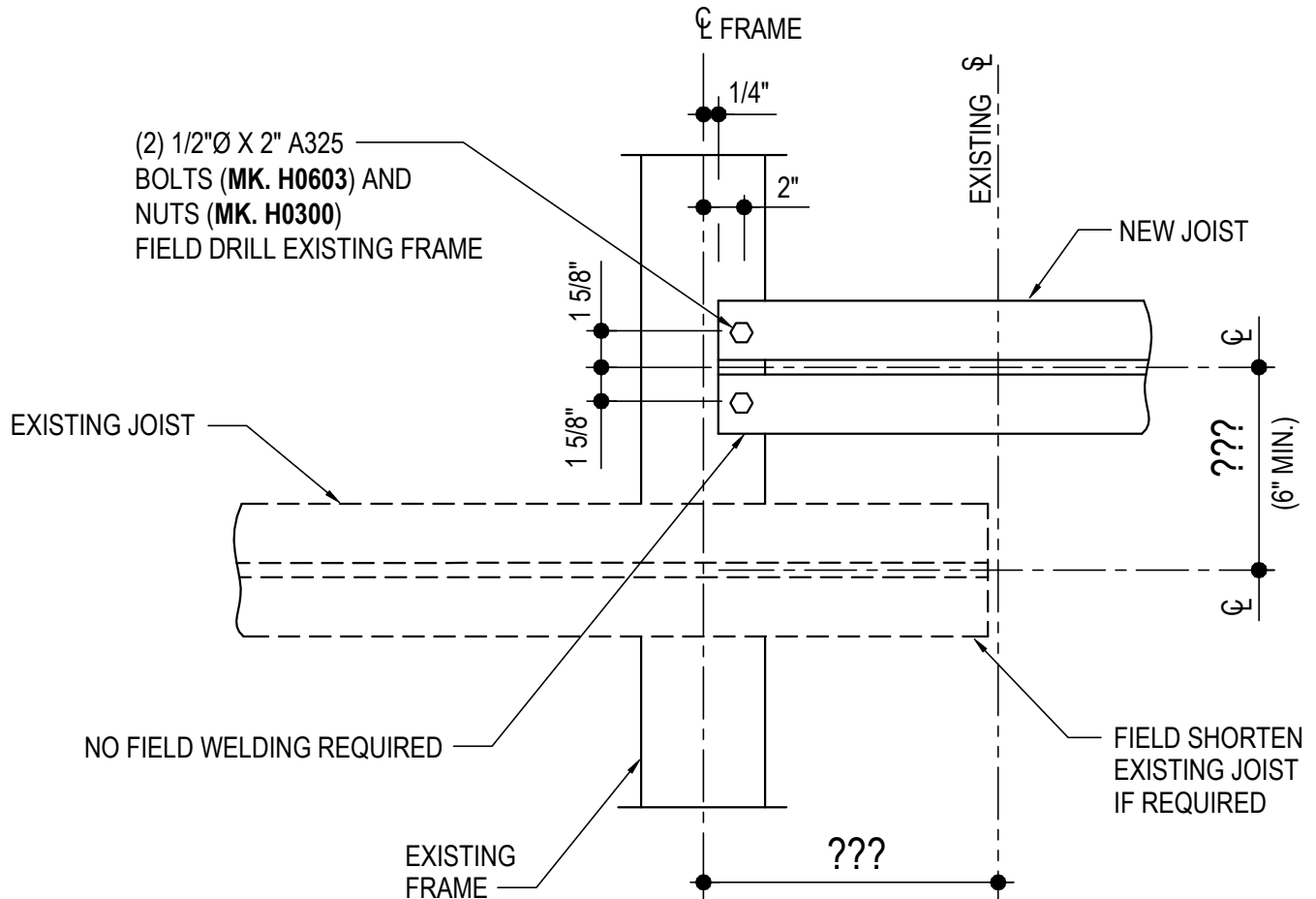
BG2030

Detailer Notes:

- 1) N/A

BG2100 - NEW JOIST TIE-IN CONNECTION TO EXISTING END FRAME

[Download the DWG file by clicking here.](#)



NEW JOIST TIE-IN CONNECTION TO EXISTING END FRAME

SHORTSPAN ROOF JOIST AT EXISTING END FRAME (BOLTED SYSTEM)
REFERENCE ERECTOR NOTE FOR TYPICAL WASHER REQUIREMENTS.

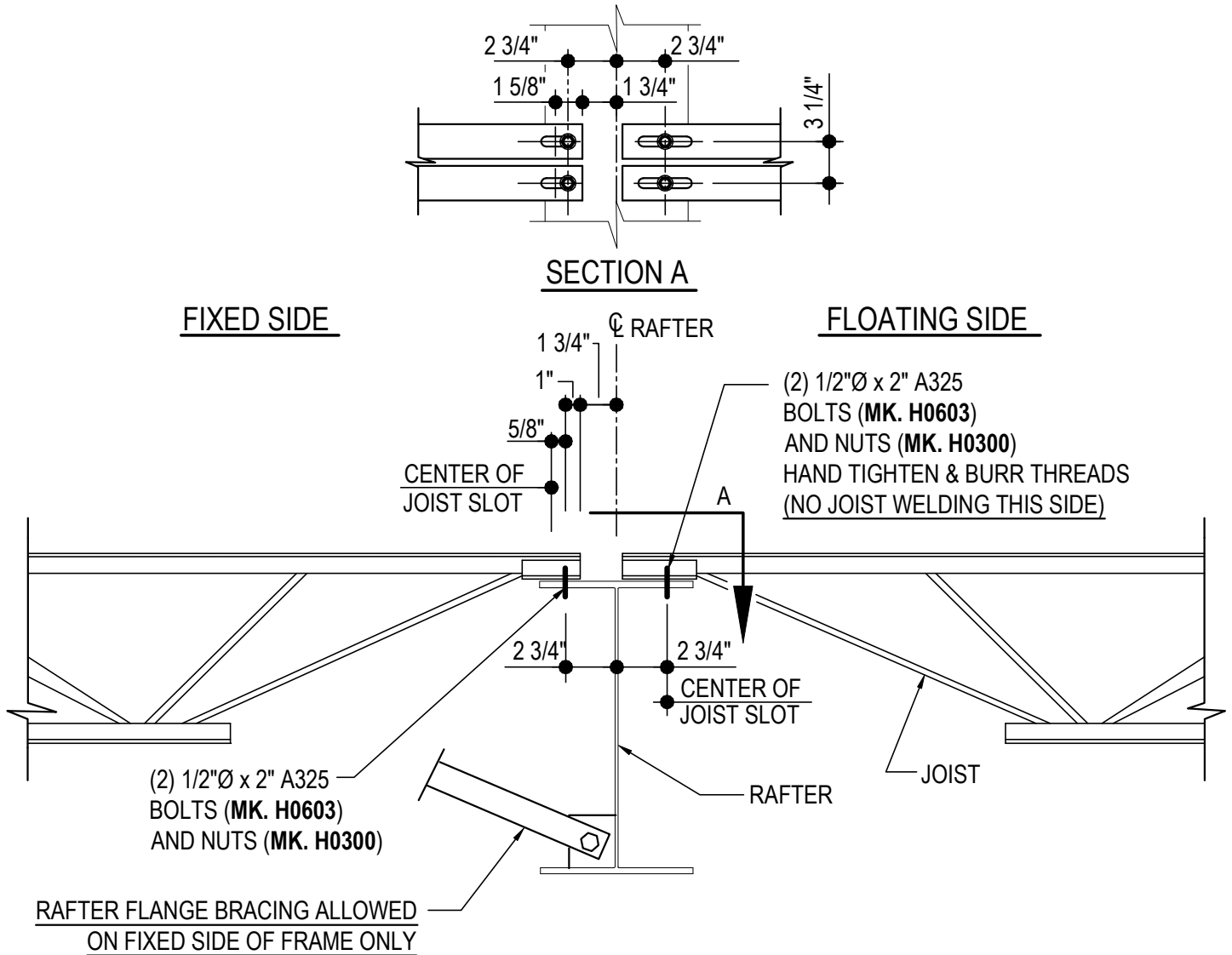
BG2100

Detailer Notes:

- 1) THIS DETAIL UTILIZES ATTRIBUTES. TO ACCESS ATTRIBUTES DOUBLE CLICK ON THE DETAIL.

BG2200 - INTERIOR ROOF JOIST AT STRUCTURAL EXPANSION

[Download the DWG file by clicking here.](#)



INTERIOR JOIST CONNECTION DETAIL

SHORTSPAN ROOF JOIST AT STRUCTURAL EXPANSION (BOLTED SYSTEM)
REFERENCE ERECTOR NOTE FOR TYPICAL WASHER REQUIREMENTS

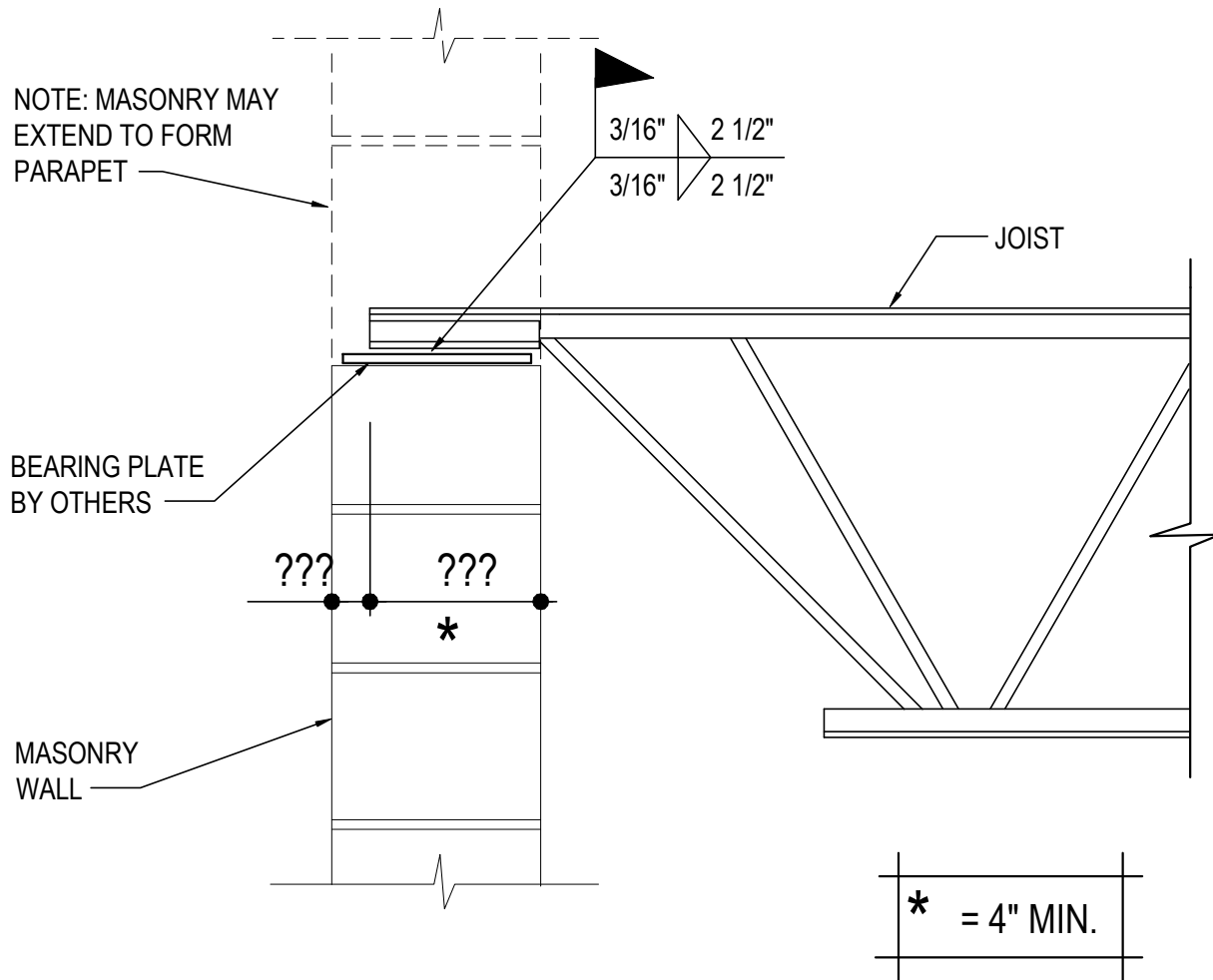
BG2200

Detailer Notes:

- 1) THIS CONDITION WILL ALWAYS REQUIRE COORDINATION WITH VULCRAFT. SEE DETAILING PROCEDURE MANUAL FOR FURTHER INFORMATION.

BG3000 - JOIST CONNECTION AT MASONRY END SUPPORT

[Download the DWG file by clicking here.](#)



JOIST CONNECTION DETAIL

SHORTSPAN ROOF JOIST AT MASONRY END SUPPORT

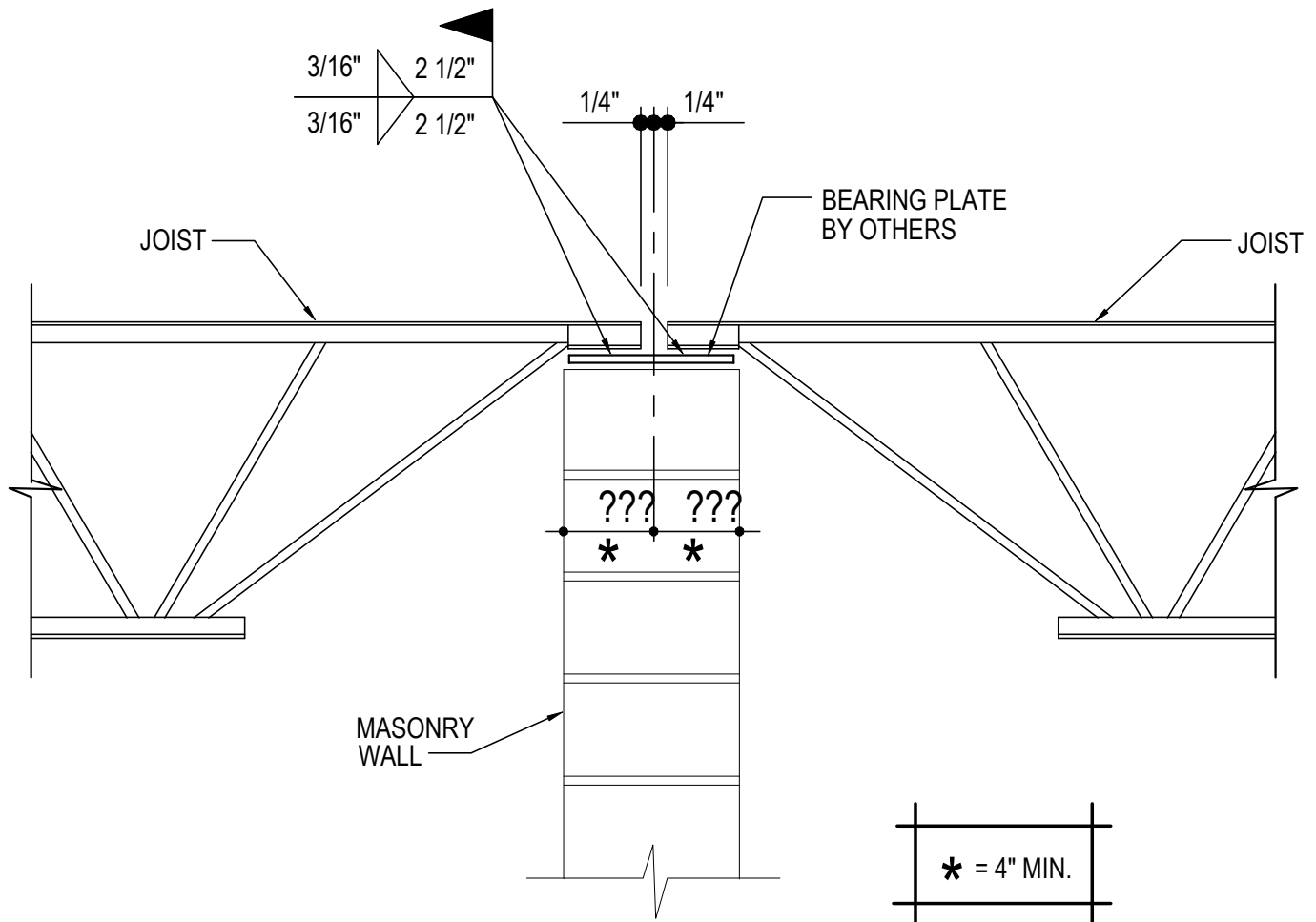
BG3000

Detailer Notes:

- 1) THIS DETAIL UTILIZES ATTRIBUTES. TO ACCESS ATTRIBUTES DOUBLE CLICK ON THE DETAIL.

BG3010 - JOIST CONNECTION AT MASONRY INTERIOR SUPPORT

[Download the DWG file by clicking here.](#)



JOIST CONNECTION DETAIL

SHORTSPAN ROOF JOIST AT MASONRY INTERIOR SUPPORT

BG3010

Detailer Notes:

- 1) THIS DETAIL UTILIZES ATTRIBUTES. TO ACCESS ATTRIBUTES DOUBLE CLICK ON THE DETAIL.